

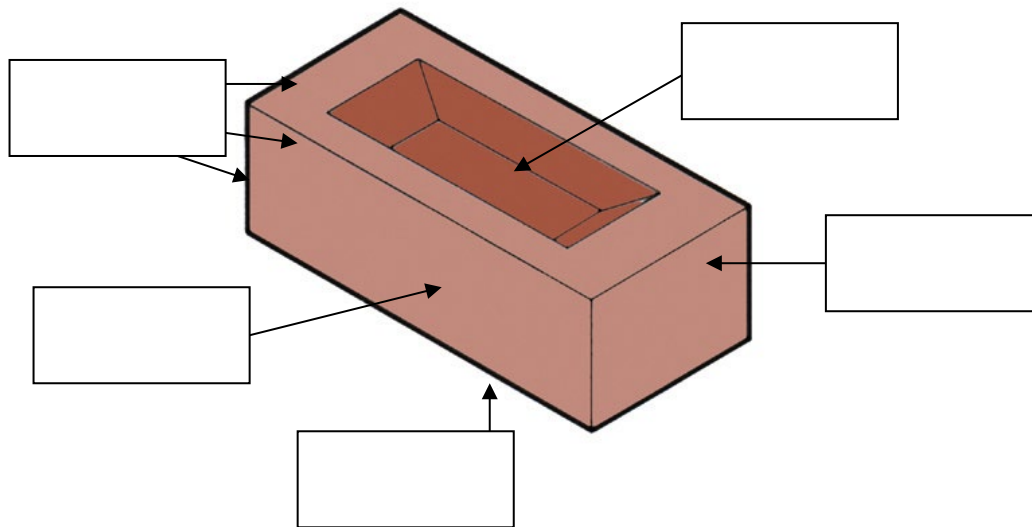


# **Year 11 Transition Bricklaying Workbook**

## **Brickwork**

As a new student in Brickwork you are required to undertake some research into the industry you have chosen. Answer the questions to the best of your ability and try to put as much detail in as you can. (Don't be worried if you aren't sure, still have a go)

1. Name the parts of the brick below.



2. What is the standard length/ width and height of a brick?

3. How are perforated bricks made?

---

## **Brickwork**

4. Why are "Fletton" bricks sometimes called "Londons"?

5. What type of work would facing bricks be most suitable for and why?

6. Name the 2 types of brick below?



-----



-----

7. What is the reason for bricks having holes or slots in them?

---

## ***Brickwork***

8. Which type of brick is usually the most expensive and why?

9. What sort of work would you use "common" bricks for?

10. List at least 8 things a bricklayer would need to be good at and explain why?

11. Do you possess any of any of the skills in question 10, if so which ones?

12. Can you upload a photo of a brick on a building near you (it could be on your own home) and try to find out what type of brick it is?